



# Technical tip

Date: 2009-02-03

Revision: 1

## Xstream regulators - pressurizing your regulator.

When you took your first scuba course, chances are you were thought to open your tank valve slowly when you pressurized your regulator.

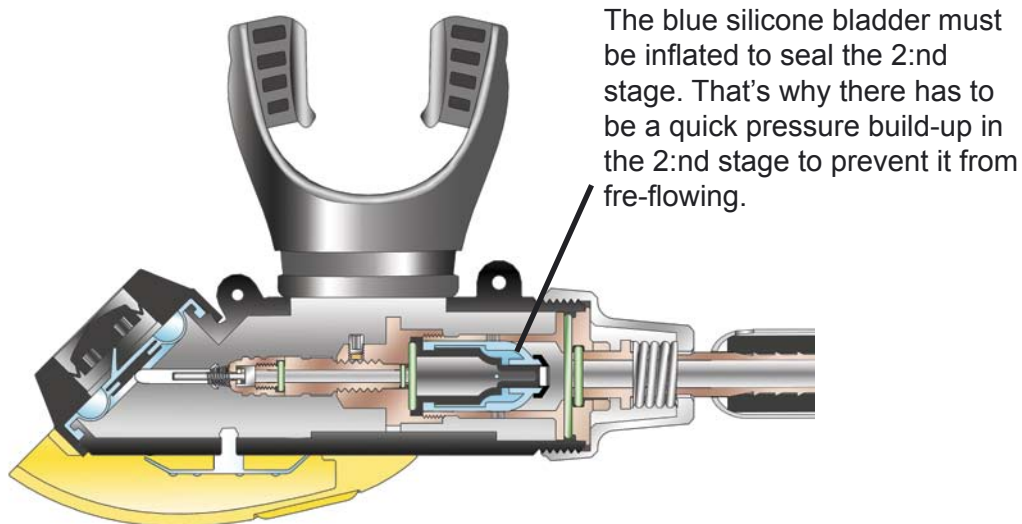
With the Xstream regulator, it's the opposite: you need to open the tank valve quickly.

The Xstream 2:nd stage needs to build up pressure quickly. If it doesn't, it will most likely free-flow for a while, until enough pressure has been built up or until you place your thumb over the mouthpiece hole. This should stop the free-flow.

*\* If you dive with high levels of O<sup>2</sup> (40% or more) in your gas mix, we recommend you hold your thumb over the mouthpiece hole and open the valve slowly at first. That should seal the 2nd stage.*

### Applies to:

- Xstream Dive 90
- Xstream Deep
- Xstream Deep 90
- Xstream Duration\*
- Xstream Duration 90\*
- Xstream Deco\*



*The Xstream is a servo assisted, upstream regulator.*

If the regulator continues to free-flow, even though you have opened the tank valve quickly and placed your thumb over the mouth piece opening, then your 2:nd stage probably needs to be re-adjusted. **We recommend that you do this at a certified Poseidon Service Center.**

Remember that your diving equipment is life supporting equipment and it should be handled and treated accordingly. If you take good care of your diving equipment, your diving equipment will take good care of you!